

PRODUCT INFORMATION PACKET

Model No: 5KH35JN121

Catalog No: H217

Fan and Blower Motor, 0.33 HP, 1 Ph, 60 Hz, 115 V, 1800 RPM, 56CZ Frame, DP



Regal and Marathon are trademarks of Regal Rexnord Corporation or one of its affiliated companies.

©2023 Regal Rexnord Corporation, All Rights Reserved. MC017097E



Nameplate Specifications

Output HP	0.33 Hp	Output KW	0.25 kW
Frequency	60 Hz	Voltage	115 V
Current	6.6 A	Speed	1725 rpm
Service Factor	1.35	Phase	1
Efficiency	59.8 %	Power Factor	0
Duty	Continuous	Insulation Class	B
Design Code	-	KVA Code	R
Frame	56CZ	Enclosure	Drip Proof
Thermal Protection	No Protection	Ambient Temperature	40 °C
Drive End Bearing Size	6203	Opp Drive End Bearing Size	6203
UL	Recognized	CSA	Yes
CE	N	Number of Speeds	1

Technical Specifications

Electrical Type	Split Phase	Starting Method	SM
Poles	4	Rotation	Counterclockwise/Clockwise
Mounting	Round	Motor Orientation	ANY
Drive End Bearing	BALL	Opp Drive End Bearing	BALL
Frame Material	Rolled Steel	Overall Length	10.25 in
Frame Length	5.79 in	Shaft Diameter	0.630 in
Shaft Extension	2.25 in	Thru-bolts Extension	0 in
Outline Drawing	52A102411P3	Connection Drawing	52A105377AA

This is an uncontrolled document once printed or downloaded and is subject to change without notice. Date Created:03/15/2023

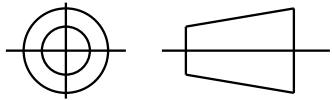
RBC PROPRIETARY AND CONFIDENTIAL INFORMATION

This document is the property of REGAL BELOIT CORPORATION ("RBC") including its subsidiaries and divisions and contains proprietary information of RBC. This document is loaned on the express condition that neither it nor the information contained therein shall be disclosed to others without the express written consent of RBC, and that the information shall be used by the recipient only as approved expressly by RBC. This document shall be returned to RBC upon its request. This document may be subject to certain restrictions under U.S. export control laws and regulations.

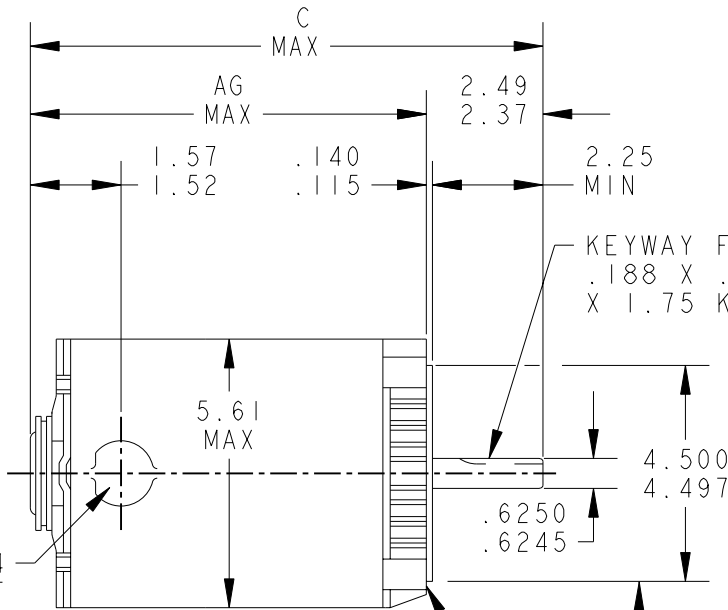
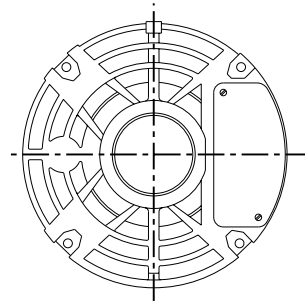
REVISIONS

REV.	DESCRIPTION	DATE	APPROVED
5	REDRAWN NO CHANGE T196-22390	9/9/96	MDP
6	UPDATED AS PER IS05-2685	10/21/05	PRAVEEN.K

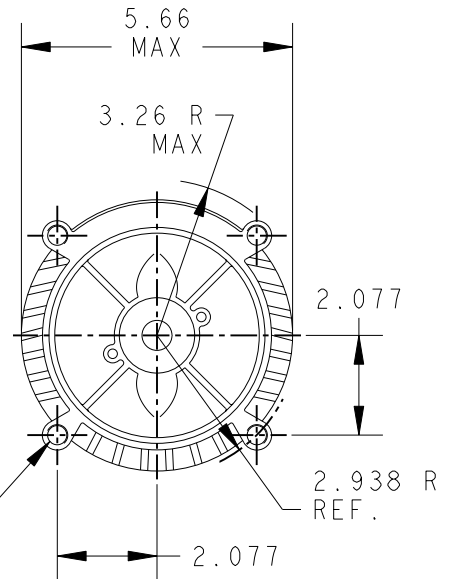
THIRD ANGLE PROJECTION



VIEW FACING
LEAD END



KEYWAY FOR
.188 X .188
X 1.75 KEY



.375-16 UNC-2B (4 HOLES)
.82 MIN. FULL THD. THESE
HOLES FIT A GAGE HAVING A
RABBIT 4.5005 DIA. AND 4
PINS .2917 DIA. LOCATED ON
THE BASIC HOLE POSITIONS.

FACE RUNOUT (WITH INDICATOR
MOUNTED STATIONARY, RELATIVE
TO SHAFT) MUST NOT EXCEED
.010 TIR

ECCENTRICITY OF THIS SURFACE (WITH
INDICATOR MOUNTED STATIONARY RELATIVE
TO SHAFT) MUST NOT EXCEED .010 TIR

5	KH	37	56CZ	11.08	8.61	
4	KH	36	56CZ	10.68	8.21	
3	KH	35	56CZ	10.25	7.78	
2	KH	33	56CZ	9.87	7.40	
1	KH	32	56CZ	9.62	7.15	
PT	TYPE	GE SIZE	NEMA FR	C	AG	SHELL REF

FOR ADDITIONAL INFO REFER TO:

APPLIED PRACTICES

DIMENSIONS ARE IN INCHES

TOLERANCE ON:

1 PL DECIMALS ± 0.1

2 PL DECIMALS ± 0.02

3 PL DECIMALS ± 0.005

ANGLES ± 1.0

FRACTIONS ±

FINISH



SIGNATURES

DATE

MODEL

DETAIL

CHECKED

ENGRG

MFG

QUALITY

ISSUED

BCC

09/02/77

MDP

9/9/96



REGAL-BELOIT CORPORATION

TITLE

OUTLINE

FORM "N" MOTOR-DRIP PROOF R2 END MOUNTED
-SLEEVE & BALL BEARING. FMF 5KH32DN111

SIZE DRAWING

A

52A102411

REV

6

MATERIAL

SOLID MODEL: 52A102411

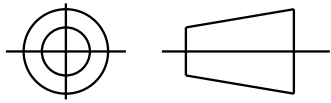
SCALE: 1.000

REF. No: .

SHEET 1 of 1

SHEET 1
 REV 1
 SIZE DRAWING NO. 52A105377AA
 A

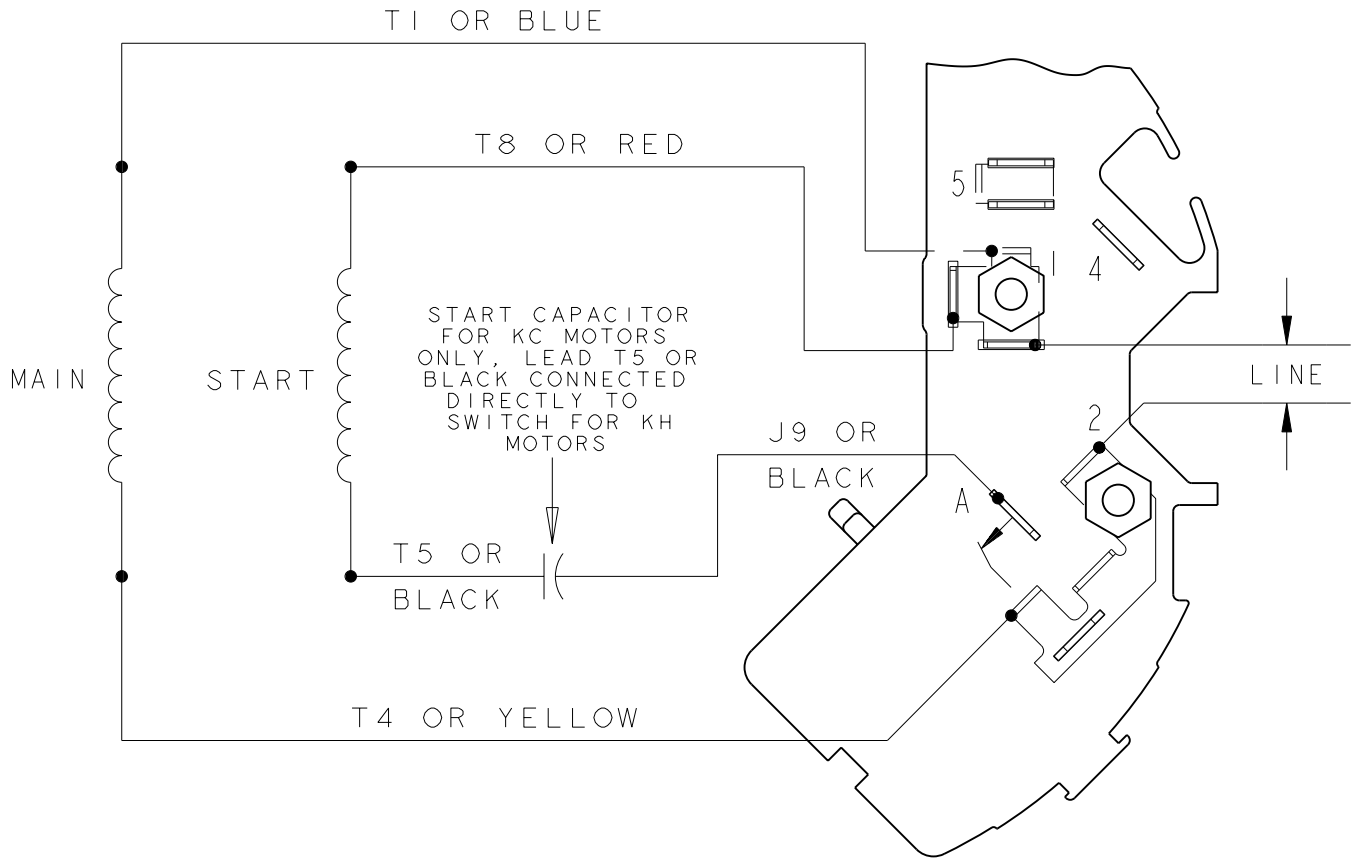
THIRD ANGLE PROJECTION



REVISIONS

REV.	DESCRIPTION	DATE	APPROVED
1	UPDATED FORMAT	11/10/05	MAM

EITHER ROTATION - SINGLE VOLTAGE
TYPE KC, OR KH



NOTE #1 - TO REVERSE ROTATION INTERCHANGE BLACK (T5-KH OR J9-KC) AND RED (T8) LEADS.

NOTE #2 - WHEN MORE THAN ONE CAPACITOR IS USED CONNECT IN PARALLEL.

REF. DIAG. - 121A850		SWITCH (C) - 115D958AB	
CONNECTION LABEL - 52X332047			
SIGNATURES	DATE	REGAL-BELOIT CORPORATION CONNECTION DIAGRAM FMF: 30 FRAME SWITCH REDESIGN	
MODEL M.D. PAPE	06/29/87		
DETAIL	.		
CHECKED	.		
ENGRG	.		
MFG	.		
FOR ADDITIONAL INFO REFER TO:	QUALITY	SIZE DRAWING	REV
APPLIED PRACTICES	ISSUED M.D.P.	A	1
DIMENSIONS ARE IN INCHES ✓	06/29/87	52A105377AA	
MATERIAL	SOLID MODEL: 52A105377AA	SCALE: 1.000	SHEET 1 of 1